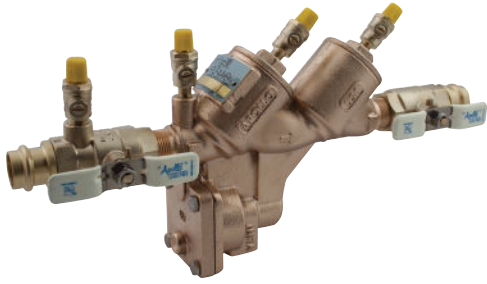


RP4ALF series

reduced pressure backflow preventer with press connections
lead free



"Apollo" Press



job name:	
job location:	
engineer:	
contractor:	
tag:	
PO#:	
rep:	
wholesale dist.:	

description

The APOLLOPRESS® Model RPLF4A Series lead free* Reduced Pressure Backflow Preventer with Press end connections provide maximum protection against back-siphonage or backpressure from substances that are hazardous to the potable water supply. The top accessed modular check valve cartridges provide captured springs, replaceable seats and reversible silicone seat discs. This Made in America / 5 year factory warranty assembly features APOLLOPRESS® ball valves with stainless steel handles and trim and Leak Before Press® technology.

features

- fast, reliable, economical press installation
- Ridgid® XL Press Tool compatible
- Leak Before Press® Technology
- low pressure loss
- easily removable modular check valve cartridge
- captured stainless steel check springs
- APOLLOPRESS® ball valves w/ SS handles & nuts standard
- top-mounted test cocks for easy testing
- modular relief valve
- no special tools required for servicing
- made in U.S.A. - ARRA compliant

performance rating

- maximum working pressure: 175 psi
- temperature range: 33° F - 180° F

approvals

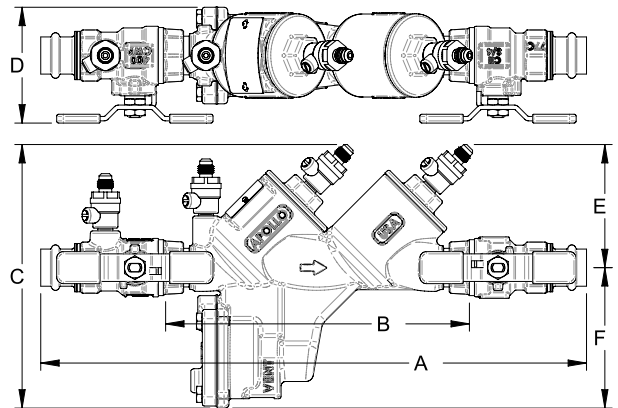
- ASSE 1013-2011 - horizontal (1/2"-2")
- CSA B.64.4 - horizontal (1/2"-2")
- NSF/ANSI 61 water quality
- NSF/ANSI 372 lead free
- backflow assembly is approved by the Foundation for cross-connection control and hydraulic research at the University of Southern California. Press connections are optional factory installed connectors on each end of the approved assembly. - horizontal (1/2"-2")

standard materials list

body, caps, ball valve shutoffs, test cocks	bronze C89836 lead free*
check valve cartridges	glass-filled PPO
springs	300 series stainless steel
seat discs	chloramine-resistant silicone
o-rings	chloramine-resistant EPDM

dimensions

model number	size (in.)	dimensions (in.)						wt. (lb.)
		A	B	C	D	E	F	
4ALF203-T2FPR	1/2	13	7-3/8	7-1/8	2-7/8	3-1/4	3-7/8	7.4
4ALF204-T2FPR	3/4	14-7/8	8-1/2	7-3/8	3-1/8	3-1/2	3-7/8	9.0
4ALF205-T2FPR	1	16-7/8	9-1/2	8	3-1/4	4	4	13.0
4ALF206-T2PR	1-1/4	21-1/8	11-3/4	9-7/8	5-1/8	4-1/2	5-3/8	19.1
4ALF207-T2PR	1-1/2	22	11-5/8	9-7/8	5-1/8	4-1/2	5-3/8	22.5
4ALF208-T2PR	2	24-3/4	12-3/4	11	5-7/8	5	6	34.6



*lead free: The wetted surfaces of this product shall contain no more than 0.25% lead by weighted average. Complies with Federal Public Law 111-380. ANSI 3rd party approved and listed.



submittal
sheet

RP4ALF series

reduced pressure backflow preventer with press connections

lead free

part number matrix

4A [XX]	2 0	X	T2F	PR
	y-strainer	size	options (can be combined)	connection
4A - Non-Lead Free	0 - None (Standard)	3 - 1/2"	blank -NPT testcock (1-1/4" - 2")	PR - APOLLOPRESS®
4ALF - Lead Free		4 - 3/4"	F - SAE test cocks (standard) (1/2" - 1")	
		5 - 1"		
		6 - 1-1/4"	air gap devices	
		7 - 1-1/2"	AGD4A1 - (1/2" - 1")	
		8 - 2"	AGD4A1I2 - (1-1/4" & 1-1/2")	
			AGD4A2 - (2")	

flow curves

meter rated flow

Indicates rated flow as determined by approval agencies, 7.5 ft/sec is the typical maximum plumbing system flow rate. Curves developed from independent approval agencies actual tests - Consult factory for details.

