



Job Name:	
Job Location:	
Engineer:	
Contractor:	
Tag:	
PO#:	
Rep:	
Wholesale Dist:	

DESCRIPTION

The Apollo International® LC149 Series Cast Iron Butterfly Valves are ideal for use in Industrial and Commercial/HVAC/Mechanical applications. The LC149 Series is a lug style valve designed to be economical yet have high pressure capabilities. Available in sizes 2" - 12".

FEATURES

- Compatible with ANSI 125# & 150# Flanges
- ISO 5211 Top Plate Allows Choice of Apollo® Pneumatic Actuators and Manual Operators
- "Double-D" Stem Design
- Conforms to MSS SP-67 & API 609
- Extended Neck for up to 2" of Insulation
- Suitable for bi-directional dead-end service to full rated pressure

PERFORMANCE RATING

- Max Operating Pressure: 200 psi
- Temperature Range: -30°F to +225°F

APPROVALS

- NSF/ANSI 61 Water Quality
- NSF/ANSI 372 Lead Free
- CRN OC12102.8CL

STANDARD MATERIAL LIST

BODY	Cast Iron, ASTM A126 Class B
DISC	Aluminum Bronze, ASTM B148-C95400
SHAFT	Stainless Steel, ASTM A276, Type 416
SEAT	Peroxide Cured EPDM with Phenolic Backing
BUSHINGS	Glass Reinforced Epoxy Resin
STEM SEAL	EPDM

SPECIFICATIONS

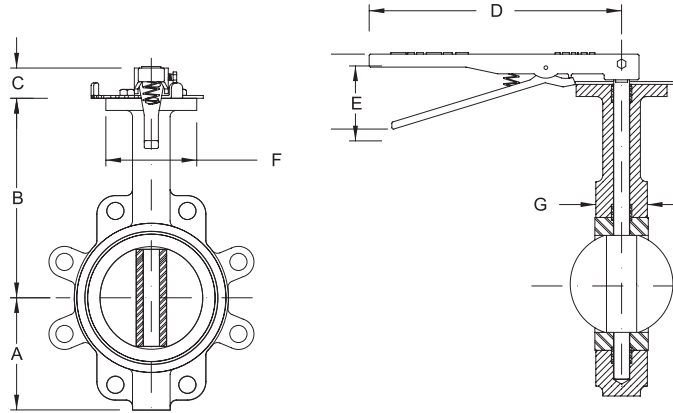
VALVE SIZE		TORQUE RATING *(IN-LB)				FLOW C _v FULL OPEN	WEIGHT (LB)		GEAR RATIO
		FULL RATED PRESSURES (PSI)					W/ LEVER	W/ GEAR	
IN.	MM	ΔP 50	ΔP 100	ΔP 150	ΔP 200				
2	50	100	106	111	117	115	8	--	30:1
2.5	65	150	163	176	189	196	10	--	30:1
3	80	207	220	232	244	302	11	--	30:1
4	100	290	323	357	390	600	17	--	30:1
5	125	423	481	540	598	1022	20	--	30:1
6	150	599	691	783	875	1579	23	--	30:1
8	200	1060	1183	1307	1430	3136	44	71	50:1
10	250	1671	1872	2074	2275	5340	67	94	50:1
12	300	2568	2795	3023	3250	8250	102	129	50:1

*Lubricating Media Surface

MODEL NUMBER MATRIX

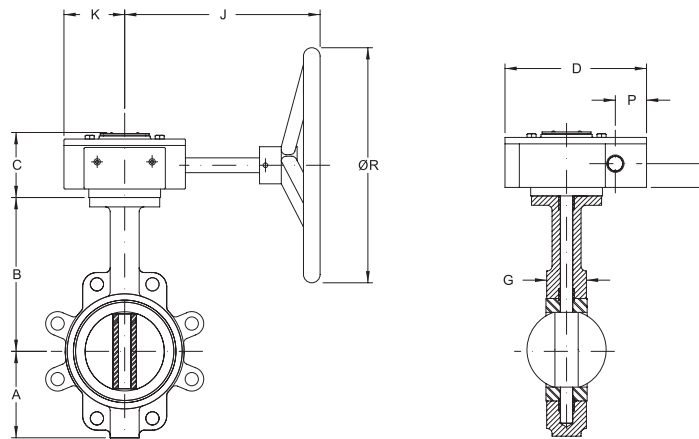
LC149	06	1
SERIES NUMBER	SIZE (IN)	OPERATOR
LC149 CAST IRON LUG BODY ALUMINUM BRONZE DISC 416 SS SHAFT BLACK EPDM SEAT	02 - 2"	1 - 10 POSITION HANDLE (2" - 12")
	25 - 2.5"	2 - GEAR OPERATOR (8" - 12" ONLY)
	03 - 3"	
	04 - 4"	
	05 - 5"	
	06 - 6"	
	08 - 8"	
	10 - 10"	
	12 - 12"	

*LEAD FREE: The wetted surfaces of this product shall contain no more than 0.25% lead by weighted average. Complies with Federal Public Law 111-380. ANSI 3rd party approved and listed.



DIMENSIONS - 149 SERIES WITH HANDLE

SIZE (IN)	DIMENSIONS (IN.)						
	A	B	C	D	E	F	G
2	3.25	6.38	1.25	10.5	3.1	2.70	1.75
2.5	3.75	6.88	1.25	10.5	3.1	2.70	1.88
3	4.00	7.13	1.25	10.5	3.1	2.70	1.88
4	4.88	7.88	1.25	10.5	3.1	2.70	2.13
5	5.38	8.38	1.25	10.5	3.1	2.70	2.25
6	5.88	8.88	1.25	10.5	3.1	2.70	2.25
8	7.13	10.25	1.75	14.3	3.5	4.61	2.50
10	8.25	11.50	1.88	14.3	3.5	4.61	2.75
12	9.75	13.25	1.88	14.3	3.5	4.61	3.13



DIMENSIONS - 149 SERIES WITH GEAR OPERATOR

SIZE (IN)	DIMENSIONS (IN.)									
	A	B	C	D	G	H	J	K	P	ØR
8	7.13	10.25	3.38	8.00	2.50	1.62	9.48	3.25	1.50	11.88
10	8.25	11.50	3.38	8.00	2.75	1.62	9.48	3.25	1.50	11.88
12	9.75	13.25	3.38	8.00	3.13	1.62	9.48	3.25	1.50	11.88