

77W Series*

Press End Bronze Ball Valve



"Apollo" PRESS



Job Name:	
Job Location:	
Engineer:	
Contractor:	
Tag:	
PO#:	
Rep:	
Wholesale Dist.:	

DESCRIPTION

The APOLLOPRESS® 77W Series ball valve is ideal for installation in heating, cooling and non-potable plumbing. Now with Leak Before Press® feature and 300 psig maximum working pressure.

FEATURES

- Heavy Pattern Cast Bronze Body
- Full-Port Flow
- Adjustable Stem Packing
- Fast, Reliable, Economical Press Installation
- Ridgid® XL Press Tool Compatible
- Leak Before Press® Technology
- Blowout-Proof Stem
- Corrosion Resistant Materials
- 100% Factory Tested
- Silicone Free
- **Made in USA, ARRA Compliant**

PERFORMANCE RATING[†]

- Maximum Operating Pressure: 300 psi
- Temperature Range: 0°F - 250°F

[†]APOLLOPRESS® connectors are designed for direct mechanical connection to ASTM B88-Type K, L, and M copper tubing in the hard drawn condition. Press connectors are not suitable for steam or flammable gas service.

APPROVALS

- MSS SP-110 Ball Valves

APPROVED APPLICATIONS

- Water, Chilled and Hot: 33° - 250°F
- Hydronic Heating (90% glycol max)
- Low Pressure Steam, 15 psi max
- Not Suitable for Flammable Gas Service
- Not Compatible with Soft Annealed Copper Tubing

Not intended for potable water in USA

OPTIONS

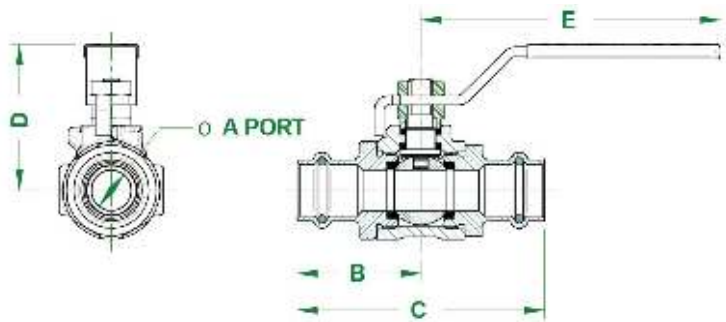
- (-04) 2-1/4" Stem Extension
- (-07) Tee-Handle
- (-10) Stainless Steel Handle and Nut
- (-11) Therma-Seal™ Insulating Tee Handle
- (-50) 2-1/4" Locking Extension
- (-92) Standard Lever with Balancing Stop
- (-94) 2-1/4" Stem Extension and Balancing Stop
- (-HC) Press x 3/4" Hose w/ Cap & Chain (1/2" & 3/4")
- (77W-140 Series) SS Ball and Stem
- (77WLF Series) Lead Free (0.25% Lead Max)

STANDARD MATERIALS LIST

BODY	Cast Bronze C89836
SEAT	Multi-Fill PTFE
BALL	ASTM B16 Brass, plated or B283, C37700
STEM PACKING	Multi-Fill PTFE
NUT	Corrosion Resistant Plated Steel
STEM	Brass, ASTM B16, UNS# C36000
RETAINER	Brass, ASTM B16, UNS# C36000
HANDLE	Plated Steel/Insulated Polyvinyl
GLAND	Brass, ASTM B16, UNS# C36000
O-RING SEALS	EPDM

DIMENSIONS

MODEL NUMBER	SIZE (IN.)	DIMENSIONS (IN.)					WT. (LB.)
		A	B	C	D	E	
77W-103-01	1/2"	0.50	1.54	3.08	1.50	3.74	0.6
77W-104-01	3/4"	0.75	1.78	3.55	2.01	4.78	1.1
77W-105-01	1"	1.00	2.12	4.24	2.20	4.78	1.8
77W-106-01	1-1/4"	1.25	2.61	5.22	3.13	7.04	4.3
77W-107-01	1-1/2"	1.50	2.96	5.92	3.10	7.04	4.6
77W-108-01	2"	2.00	3.74	7.47	3.48	7.04	8.2



*Available while supplies last. Directly replaced by 77W-A Series (see SS1452)