



submittal
sheet

77WLF-HC series

ball valve with press x hose connection

lead free



Apollo[®] Press



job name:	
job location:	
engineer:	
contractor:	
tag:	
PO#:	
rep:	
wholesale dist.:	

description

The APOLLOPRESS[®] lead free* Press x Hose Cap & Chain Ball Valves are designed for direct mechanical connection to ASTM B88-Type K, L, and M copper tubing in the hard drawn condition. Valves feature a 3/4" hose connection with heavy brass cap to protect the threads. The 77WLF-HC is ideal for most plumbing and heating systems, including potable water. Now with Leak Before Press[®] feature and 300 psig maximum working pressure.

features

- press x 3/4" - 11.5 NH
- full port
- adjustable stem packing
- fast, reliable, economical press installation
- Leak Before Press[®] technology
- lead free* brass & bronze materials
- heavy brass cap and stainless steel chain is full pressure rated
- easily identifiable blue "lead free" hang tag
- Ridgid[®] "XL" Press Tool compatible
- made in USA, ARRA compliant

performance rating†

- maximum operating pressure: 300 psi
- maximum temperature: 200°F

APOLLOPRESS[®] connectors are designed for direct mechanical connection to ASTM B88-Type K, L, and M copper tubing in the hard drawn condition. Press connectors are not suitable for steam or flammable gas service

approvals

- MSS SP-110 ball valves
- NSF/ANSI 61 water quality
- NSF/ANSI 372 lead free
- ANSI/ASME B1.20.7 hose thread
- IAPMO/ANSI Z1157

approved applications

- water
- hydronic heating (50% glycol max)
- not compatible with soft annealed copper tubing

options

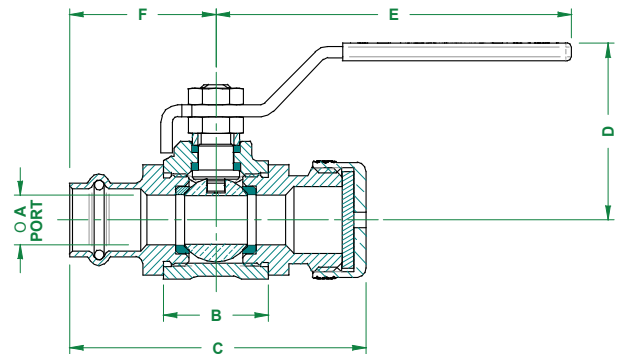
- (-04) 2-1/4" stem extension
- (-07) tee-handle
- (-10) stainless steel handle and nut
- (-11) Therma-Seal[™] insulating tee handle
- (-92) balancing stop
- (-94) 2-1/4" stem extension and balancing stop
- (77WLF-14x-HC series) SS ball and stem
- (77W-HC-PR) non lead-free APOLLOPRESS[®]

standard materials list

body	C89836 lead free* bronze
seat	multi-fill PTFE
ball	C27451 lead free* brass cr. plated
stem packing	multi-fill PTFE
nut	corrosion resistant plated steel
stem	C27451 lead free* brass
retainer	C27451 lead free* brass
cap	C27451 lead free* brass
handle	plated steel/insulated polyvinyl
gland	brass, ASTM B16, UNS# C36000
o-ring	EPDM
ball chain	stainless steel

dimensions

part number	size (in.)	dimensions (in.)						wt. (lb.)
		A	B	C	D	E	F	
77WLF-103-HC	1/2"	0.50	1.54	3.12	1.80	3.74	1.54	0.61
77WLF-104-HC	3/4"	0.75	1.72	3.45	2.01	4.78	1.78	1.16



*lead free: The wetted surfaces of this product shall contain no more than 0.25% lead by weighted average. Complies with Federal Public Law 111-380. ANSI 3rd party approved and listed.