

# 77W-HC Series\*

Ball Valve with Press x Hose Connection



Job Name:	
Job Location:	
Engineer:	
Contractor:	
Tag:	
PO#:	
Rep:	
Wholesale Dist.:	

## DESCRIPTION

The APOLLOPRESS® 77W-HC Press x Hose Ball Valve is designed for direct mechanical connection to ASTM B88-Type K, L, and M copper tubing in the hard drawn condition for sizes 1/2" - 3/4". Valves feature a 3/4" hose connection with heavy brass cap with heavy duty stainless steel chain to protect the threads. The 77W-HC is ideal for most plumbing and heating systems, including potable water. Now with Leak Before Press® feature and 300 psig maximum working pressure.

## FEATURES

- Press x 3/4" - 11.5 NH
- Full Port
- Ridgid® "XL" Press Tool Compatible
- Adjustable Stem Packing
- Fast, Reliable, Economical Press Installation
- Leak Before Press® Technology
- Dezincification Resistant Bronze Body
- Heavy Brass Cap And Stainless Steel Chain is Full Pressure Rated
- 100% Factory Tested
- **Made in USA, ARRA Compliant**

## PERFORMANCE RATING†

- Maximum Operating Pressure: 300 psi
- Maximum Temperature: 250°F

APOLLOPRESS® connectors are designed for direct mechanical connection to ASTM B88-Type K, L, and M copper tubing in the hard drawn condition. Press connectors are not suitable for steam or flammable gas service.

## APPROVALS

- MSS SP-110 Ball Valves
- Directive 2011/65/CE (RoHS)
- ANSI/ASME B1.20.7 Hose Thread
- IAPMO/ANSI Z1157

## APPROVED APPLICATIONS

- Water
- Hydronic Heating (50% glycol max)
- Not compatible with soft annealed copper tubing

**Not intended for potable water**

## OPTIONS

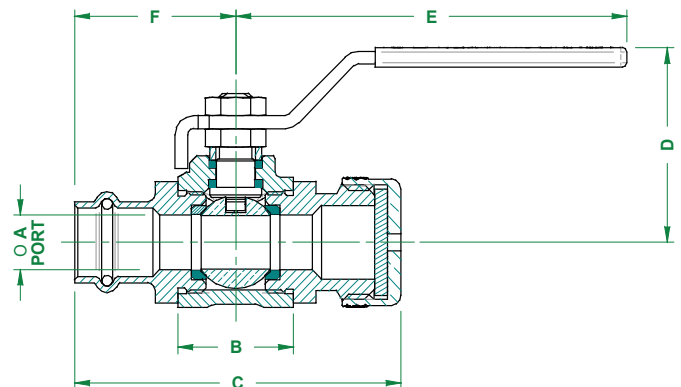
- (-04) 2-1/4" Stem Extension
- (-07) Tee-Handle
- (-10) Stainless Steel Handle and Nut
- (-11) Therma-Seal™ Insulating Tee Handle
- (-92) Balancing Stop
- (-94) 2-1/4" Stem Extension and Balancing Stop
- (77WLF-140-HC SERIES) SS Ball and Stem
- (77WLF-HC SERIES) Lead Free 0.25% Lead Max
- (77W-HC-PR-LF) Lead Free APOLLOPRESS®

## STANDARD MATERIALS LIST

<b>BODY</b>	ASTM B584 C89836 Bronze
<b>SEAT</b>	Multi-Fill PTFE
<b>BALL</b>	ASTMB16Brass,plated
<b>STEM PACKING</b>	Multi-Fill PTFE
<b>NUT</b>	Corrosion Resistant Plated Steel
<b>STEM</b>	Brass, ASTM B16, UNS# C36000
<b>RETAINER</b>	Brass, ASTM B16, UNS# C36000
<b>CAP</b>	Brass, ASTM B16, UNS# C36000
<b>HANDLE</b>	Plated Steel/Insulated Polyvinyl
<b>GLAND</b>	Brass, ASTM B16, UNS# C36000
<b>O-RING</b>	EPDM
<b>BALL CHAIN</b>	Stainless Steel

## DIMENSIONS

PART NUMBER	SIZE (IN.)	DIMENSIONS (IN.)						WT. (LB.)
		A	B	C	D	E	F	
77W-103-HC	1/2"	0.50	1.54	3.12	1.80	3.74	1.54	0.61
77W-104-HC	3/4"	0.75	1.72	3.45	2.01	4.78	1.78	1.16



\*Available while supplies last. Directly replaced by 77W-HCA Series (see SS1520)