

# 77WCLF series

copper press end bronze ball valve  
**lead free**

**New!**



"Apollo" Press



job name:	
job location:	
engineer:	
contractor:	
tag:	
PO#:	
rep:	
wholesale dist.:	

## description

The lead free\* 7WCLF Ball Valve featuring ApolloPress® technology is ideal for installation in potable water systems requiring NSF 61 or lead free\* approval. Includes Leak Before Press® feature and 300 psig maximum working pressure. The 77WCLF features copper retainers for maximum protection against corrosion and dezincification.

## features

- lead free\*/corrosion resistant materials
- easily identifiable blue lead free hang tag
- full-port flow
- adjustable stem packing
- fast, reliable, economical press installation
- Leak Before Press® Technology
- 100% factory tested

## performance rating†

- for types K, L, and M ASTM B88 compliant:
  - hard copper tubing (sizes 1/2" - 2")
  - soft copper tubing (sizes 1/2" - 1-1/4")
- sealing element: EPDM
- maximum operating pressure: 300 psi
- temperature range: 0°F - 250°F

†Press connectors are not suitable for flammable gas service.

## approvals

- MSS SP-110 ball valves
- IAPMO/ANSI Z1157 ball valves
- IAPMO PS-114 press connections
- NSF/ANSI/CAN 61 water quality
- NSF/ANSI/CAN 372 lead free
- EU Directive 2015/863 (RoHS 3) Compliant
- EU regulation (EC) 1907/2006 (reach) compliant

## approved applications

- potable water (NSF/ANSI 61 & 372)
- hydronic heating (w/ glycol)
- chilled water
- compressed air
- non-medical gases
- low pressure steam (15 psi max)
- vacuum (29.2 in. hg maximum @ 68°F)

## options

- (-04) 2-1/4" stem extension
- (-07) tee-handle
- (-10) stainless steel handle & nut
- (-11) Therma-Seal™ insulating tee handle
- **(-27) locking handle new!**
- (-92) standard lever w/ balancing stop
- (-94) 2-1/4" stem ext. & balancing stop
- (-hc) press x 3/4" hose w/ cap & chain (1/2" & 3/4")
- (77wclf-140 series) ss vented ball & stem

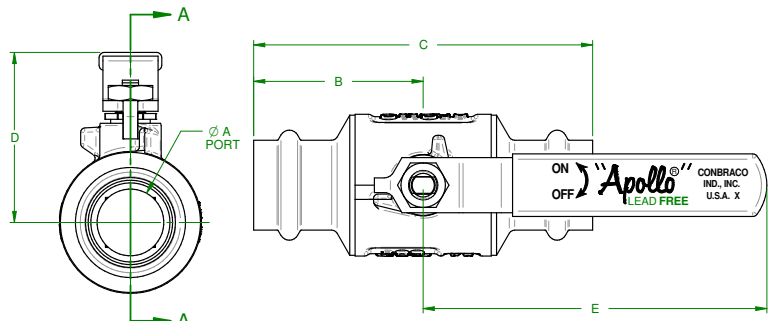
\*77WCLF lever kits and options are not interchangeable with the previous 77WLF model. Compatible kits include those used with 77W-A, 77C-A, and 77CLF-A Series.

## standard materials list

<b>body</b>	C89836. bronze
<b>retainer</b>	C12200, copper (99.9%)
<b>ball</b>	C27451(DZR), brass, chrome plated
<b>stem</b>	C27451(DZR), brass
<b>gland nut</b>	brass AS7MB16
<b>seats</b>	RPTFE
<b>stem packing</b>	RPTFE
<b>handle</b>	plated steel/insulated polyvinyl
<b>stem nut</b>	alloy steel
<b>sealing element</b>	EPDM

## dimensions

part number	size (in.)	dimensions (in.)					wt. (lb.)
		A	B	C	D	E	
77WCLF-103-01	1/2"	0.5	1.54	3.08	1.71	3.86	0.66
77WCLF-104-01	3/4"	0.75	1.9	3.8	1.91	3.86	1.15
77WCLF-105-01	1"	1	2.25	4.5	2.13	4.76	2.12
77WCLF-106-01	1-1/4"	1.25	2.59	5.17	2.46	4.76	3.13
77WCLF-107-01	1-1/2"	1.5	2.84	5.67	2.9	5.41	4.79
77WCLF-108-01	2"	2	3.4	6.8	3.68	7.76	8.22



\*lead free: The wetted surfaces of this product shall contain no more than 0.25% lead by weighted average. Complies with Federal Public Law 111-380. ANSI 3rd party approved and listed.