

# 77WCLF-HC series

copper press end bronze ball valve with press x hose connection  
**lead free**

**New!**



Apollo Press



job name:	
job location:	
engineer:	
contractor:	
tag:	
PO#:	
rep:	
wholesale dist.:	

## description

The lead free\* 77WCLF-HC Press x Hose Cap & Chain Ball Valves incorporates ApolloPress® technology. Valves feature a 3/4" hose connection with heavy brass cap to protect the threads. The 77WCLF-HC is ideal for most plumbing and heating systems, including potable water. Now with Leak Before Press® feature and 300 psig maximum working pressure. The 77WCLF-HC features a cast bronze body and a copper press retainer for maximum protection against corrosion and dezincification.

## features

- press x 3/4" - 11.5 NH
- full port
- adjustable stem packing
- fast, reliable, economical press installation
- Leak Before Press® Technology
- lead free\* brass & bronze materials
- heavy brass hose thread cap is full pressure rated
- stainless steel chain

## performance rating†

- maximum operating pressure: 300 psi
- maximum temperature: 200°F

\*ApolloPress® connectors are designed for direct mechanical connection to ASTM B88-Type K, L, and M copper tubing in the hard drawn condition. Not suitable for steam or flammable gas service

## approvals

- MSS SP-110 ball valves
- IAPMO/ANSI Z1157 ball valves
- IAPMO PS-117 press connections
- ANSI/ASME B1.20.7 hose thread
- NSF/ANSI/CAN 61 water quality
- NSF/ANSI/CAN 372 lead free
- EU directive 2015/863 (RoHS 3) compliant
- EU regulation (EC) 1907/2006 (reach) compliant

## approved applications

- water including potable water
- hydronic heating (90% glycol max)
- not compatible with soft annealed copper tubing

## options

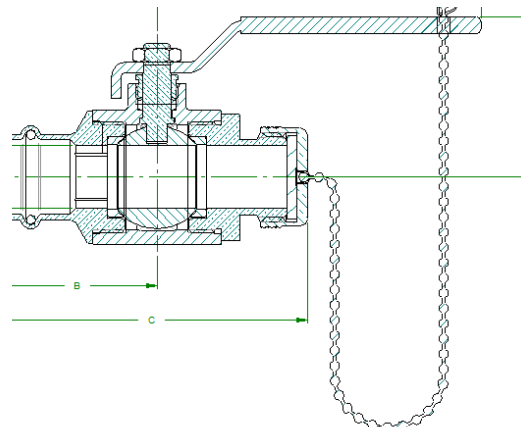
- (-04) 2-1/4" stem extension
- (-07) tee-handle
- (-10) stainless steel handle and nut
- (-11) Therma-Seal™ insulating tee handle
- **(-27) Locking Handle NEW!**
- (-92) balancing stop
- (-94) 2-1/4" stem extension and balancing stop
- (77WCLF-14x-HC Series) SS vented ball and stem

## standard materials list

<b>body</b>	C89836 lead free* bronze
<b>retainer</b>	C122000 copper (99.9%)
<b>ball</b>	C27451 lead free* dZR brass cr. plated
<b>stem</b>	C27451 lead free* DZR brass
<b>gland nut</b>	brass, ASTM B16, UNS# C36000
<b>hose retainer</b>	C27451 lead free DZR brass
<b>hose cap</b>	brass, ASTM B16, UNS# C36000
<b>ball chain</b>	stainless steel
<b>seats</b>	RPTFE
<b>stem packing</b>	RPTFE
<b>handle</b>	plated steel/insulated polyvinyl
<b>stem nut</b>	corrosion resistant plated steel
<b>sealing element</b>	EPDM

## dimensions

part number	size (in.)	dimensions (in.)					wt. (lb.)
		A	B	C	D	E	
77WCLF103HC	1/2"	0.50	1.54	3.15	1.71	3.86	0.79
77WCLF104HC	3/4"	0.75	1.90	3.70	1.91	3.86	1.25



\*lead free: The wetted surfaces of this product shall contain no more than 0.25% lead by weighted average. Complies with Federal Public Law 111-380. ANSI 3rd party approved and listed.