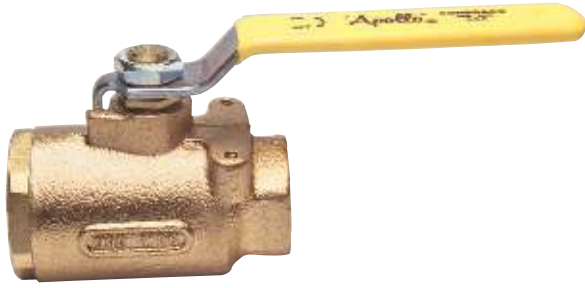


77-100 Series

Full Port NPT Bronze Ball Valve w/ Mounting Pad



Job Name:	
Job Location:	
Engineer:	
Contractor:	
Tag:	
PO#:	
Rep:	
Wholesale Dist:	

DESCRIPTION

The Apollo 77 Series is a full port, two-piece, bronze, ball valve with mounting pad.

FEATURES

- Adjustable Packing
- Blowout-Proof Stem Design
- RPTFE Seats and Stuffing Box Ring
- Hardened Ball for Wear Resistance
- 100% Factory Tested
- Mounting Pad for Easy Actuator Mounting
- **Made in USA, ARRA Compliant**

PERFORMANCE RATING

- Maximum Pressures:
CWP: 600 psi | SWP: 150 psi
- Maximum Temperature: 500°F
- Vacuum Service to 29 in. Hg

MODELS

- 77-100 Series – Standard
- 77-140 Series – 316 SS Ball & Stem
- 77-150 Series – Balancing Stop
- 77-190 Series – Locked Retainer

APPROVALS

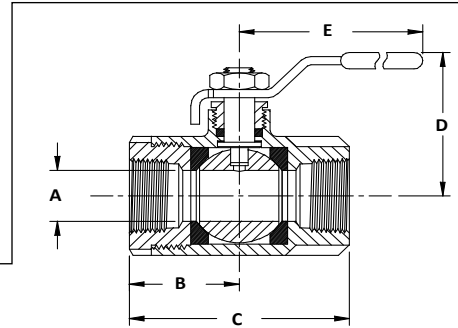
- MSS SP-110; Ball Valves, Threaded, Socket-Welding, Solder Joint, Grooved and Flared Ends
- Federal Specification: WW-V-35C, Type: II, Composition: BZ, Style: 3
- CRN: OC10908.5C

OPTIONS & SIZES

- (-02) Stem Grounded 1/4" - 2-1/2"
- (-03) 1-1/4" CS Stem Extension 1/4" - 2-1/2"
- (-04) 2-1/4" CS Stem Extension 1/4" - 2-1/2"
- (-05) Plain Ball 1/4" - 2-1/2"
- (-07) Steel Tee Handle 1/4" - 1-1/2"
- (-08) 90° Reversed Ste 1/4" - 2-1/2"
- (-10) SS Lever & Nut 1/4" - 2-1/2"
- (-14) Side Vented Ball (Uni-Directional) 1/4" - 2-1/2"
- (-15) Wheel Handle, Steel 1/4" - 1-1/4"
- (-16) Chain Lever-Vertical 3/4" - 2-1/2"
- (-17) Rough Chrome Plated 1/4" - 2-1/2"
- (-18) Plain Yellow Grip 1/4" - 2-1/2"
- (-20) Slot Vented Ball 1/4" - 2-1/2"
- (-21) UHMWPE Trim (Non-PTFE) 1/4" - 2-1/2"
- (-24) Graphite Packing 1/4" - 2-1/2"
- (-27) SS Latch-Lock Lever & Nut 1/4" - 2-1/2"
- (-28) Mounting Pad NOT Drilled and Tapped 1/4" - 2-1/2"
- (-30) Cam-Lock & Grounded 1/4" - 1-1/4"
- (-32) SS Tee Handle & Nut 1/4" - 1-1/4"
- (-35) VTFE Trim 1/4" - 2-1/2"
- (-36) SS Hi-Rise Round Handle & Nut 1/4" - 1-1/4"
- (-40) Cyl-Loc & Grounded 1/4" - 1-1/4"
- (-45) Less Lever & Nut 1/4" - 2-1/2"
- (-46) Latch Lock Lever-Lock Closed Position Only 1/4" - 2-1/2"
- (-47) SS Oval Latch-Lock Handle & Nut 1/4" - 3/4"
- (-48) SS Oval Handle (No Latch) & Nut 1/4" - 2"
- (-49) Assembled Dry 1/4" - 2-1/2"
- (-50) 2-1/4" CS Locking Stem Extension 1/4" - 2-1/2"
- (-56) MPTFE Seats and Packing 1/4" - 2-1/2"
- (-57) Oxygen Cleaned 1/4" - 2-1/2"
- (-58) Chain Lever-Horizontal 3/4" - 2-1/2"
- (-60) Static Grounded Ball & Stem 1/4" - 2-1/2"
- (-63) NPT x Solder/Socket Weld 1/4" - 2-1/2"
- (-64) 250# Steam Trim 1/4" - 2-1/2"
- (-P01) BSPP (Parallel) Thread Connection 1/4" - 2-1/2"
- (-T01) BSPT (Tapered) Thread Connection 1/4" - 2-1/2"

STANDARD MATERIALS LIST

LEVER AND GRIP	Steel, Zinc Plated w/ Vinyl
STEM PACKING	MPTFE
STEM BEARING	RPTFE
BALL	B16, Chrome Plated or B283, C37700
SEAT (2)	RPTFE
RETAINER	B16 or B283, C37700 (3/4" to 1"), B584-C84400 (1-1/4" to 2-1/2")
GLAND NUT	B16
STEM	B16
LEVER NUT	Steel, Zinc Plated
BODY SEAL (1-1/4" TO 2-1/2")	PTFE
BODY	B584-C84400



DIMENSIONS

PART NUMBER	SIZE (IN.)	DIMENSIONS (IN.)							
		A	B	C	D	E	F	G	H
77-101-01	1/4"	0.43	1.09	2.18	1.77	3.87	0.50	1.12	10-24 NC
77-102-01	3/8"	0.50	1.09	2.18	1.77	3.87	0.50	1.12	10-24 NC
77-103-01	1/2"	0.50	1.09	2.18	1.77	3.87	0.50	1.12	10-24 NC
77-104-01	3/4"	0.81	1.56	3.12	2.12	4.87	0.87	1.37	10-24 NC
77-105-01	1"	1.00	1.81	3.62	2.62	5.50	0.93	1.50	1/4-20 NC
77-106-01	1 1/4"	1.25	2.12	4.25	2.87	5.50	0.93	1.50	1/4-20 NC
77-107-01	1 1/2"	1.50	2.37	4.75	3.34	8.00	2.08	3.06	5/16-24 NF
77-108-01	2"	2.00	2.65	5.37	3.71	8.00	2.41	3.52	5/16-24 NF
77-109-01	2 1/2"	2.50	3.25	6.50	4.12	8.00	2.75	3.37	1/4-20 NC

