

# 70-200 Series

Solder Bronze Ball Valve



Job Name:	
Job Location:	
Engineer:	
Contractor:	
Tag:	
PO#:	
Rep:	
Wholesale Dist.:	

## DESCRIPTION

The **Apollo® 70 Series** is the most widely used general purpose bronze ball valve on the market today. The 70-200 model is a 2-piece standard port ball valve designed to be soft soldered into lines without disassembly. Cast and machined in Apollo's South Carolina manufacturing plants, these valves provide trusted performance and a wide range of options.

## FEATURES

- Premium Materials and Heavy Duty Construction
- EZ-Solder™ Bronze Materials
- Adjustable Stem Packing Gland
- Blowout-Proof Stem Design
- RPTFE Seats and MPTFE Stem Packing Rings
- Chromium Plated Ball
- 100% Factory Tested
- Wide Range of Options (See Page 2)
- **Manufactured in the USA – ARRA Compliant**

## MODELS

- 70-200 Series – Standard
- 70-240 Series – 316 SS Ball & Stem
- 70LF Series – Lead Free Option  
(Refer to 70LF submittal sheet for specifications)

## APPROVALS

- MSS SP-110; Ball Valves
- CSA B51, CRN: OC10908.5C

## STANDARD MATERIALS LIST

<b>LEVER AND GRIP</b>	Steel, Zinc Plated w/ Vinyl
<b>STEM PACKING</b>	MPTFE
<b>STEM BEARING</b>	RPTFE
<b>BALL</b>	B16, B283, C37700 Chrome Plated
<b>SEAT (2)</b>	RPTFE
<b>RETAINER</b>	B16 or B283, C37700 (3/8" to 1"), B584-C84400 (1-1/4" to 3")
<b>GLAND NUT</b>	B16
<b>STEM</b>	B16
<b>LEVER NUT</b>	Steel, Zinc Plated
<b>BODY SEAL (1 1/4" TO 3")</b>	PTFE
<b>BODY</b>	B584-C84400

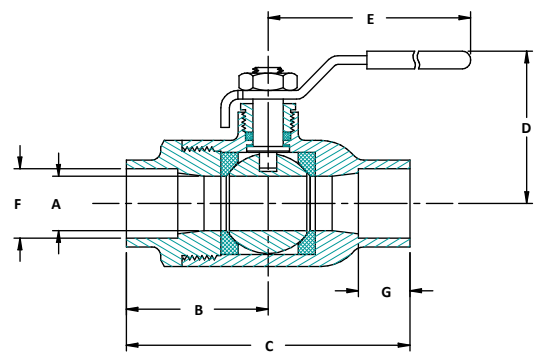
## PERFORMANCE RATING

- Maximum Pressure: 600 psi CWP
- Maximum Temperature: 350°F
- Vacuum Service to 29 in. Hg

## DIMENSIONS

PART NUMBER	SIZE (IN.)	DIMENSIONS (IN.)							WT. (LB.)
		A	B	C	D	E	F	G	
70-202-01	3/8"	0.37	1.28	2.56	1.75	3.87	0.51	0.37	0.63
70-203-01	1/2"	0.50	1.43	2.87	1.75	3.87	0.63	0.50	0.71
70-204-01	3/4"	0.68	1.93	3.87	2.12	4.87	0.88	0.75	1.44
70-205-01	1"	0.87	2.25	4.50	2.25	4.87	1.13	0.90	1.91
70-206-01	1-1/4"	1.00	2.31	4.62	2.62	5.50	1.38	0.96	2.95
70-207-01	1-1/2"	1.25	2.62	5.25	3.06	8.00	1.63	1.09	3.99
70-208-01	2"	1.50	3.18	6.37	3.25	8.00	2.13	1.34	5.71
70-209-01A	2-1/2"	2.00	3.74	7.51	3.72	8.00	2.63	1.48	15.53
70-200-01	3"	2.50	4.12	8.25	4.12	8.00	3.13	1.67	16.74
70-20A-01	4"	3.13	5.65	10.26	5.22	9.94	4.13	2.16	27.93

Sizes 3/8" and 1/2" are full port designs



# 70-200 Series

Solder Bronze Ball Valve

## OPTIONS

- (-02) Stem Grounded 1/4" - 4"
- (-04) 2-1/4" CS Stem Extension 1/4" - 3"
- (-05) Plain Ball 1/4" - 3"
- (-07) Steel Tee Handle 1/4" - 2"
- (-08) 90° Reversed Stem 1/4" - 3"
- (-10) SS Lever & Nut 1/4" - 3"
- (-11) Therma-Seal™ Insulating Tee Handle 1/4" - 2"
- (-14) Side Vented Ball (Uni-Directional) 1/4" - 4"
- (-15) Wheel Handle, Steel 1/4" - 2"
- (-16) Chain Lever-Vertical 3/4" - 2"
- (-24) Graphite Packing 1/4" - 3"
- (-27) SS Latch-Lock Lever & Nut 1/4" - 3"
- (-32) SS Tee Handle & Nut 1/4" - 2"
- (-35) VTFE Trim 1/4" - 3"
- (-39) SS Hi-Rise Locking Wheel Handle & Nut 1/4" - 2"
- (-45) Less Lever & Nut 1/4" - 3"
- (-46) Latch Lock Lever-Lock Closed Position Only 1/4" - 3"
- (-47) SS Oval Latch-Lock Handle & Nut 1/4" - 1"
- (-48) SS Oval Handle (No Latch) & Nut 1/4" - 2"
- (-49) Assembled Dry 1/4" - 4"
- (-50) 2-1/4" CS Locking Stem Extension 1/4" - 3"
- (-56) MPTFE Seats and Packing 1/4" - 3"
- (-57) Oxygen Cleaned 1/4" - 4"
- (-58) Chain Lever-Horizontal 3/4" - 2"
- (-60) Static Grounded Ball & Stem 1/4" - 3"
- (-63) NPT x Solder 3/8" - 4"
- (-92) Balancing Stop 1/4" - 3"
- (-94) 2-1/4" Stem Extension & Balancing Stop 3/8" - 3"
- (-HC) Hose Thread w./ Cap & Chain 1/2" - 1"