

# 40-000 Series

Freeze Protection Valve

## LEAD FREE



Job Name:	
Job Location:	
Engineer:	
Contractor:	
Tag:	
PO#:	
Rep:	
Wholesale Dist.:	

### DESCRIPTION

The Apollo® Series FPV Freeze Protection Valve protects backflow preventers from freezing when installed in accordance with manufacturer's instructions. All internal parts of the Freeze Protection Valve are replaceable.

### FEATURES

- Corrosion Resistant
- 1/4" MNPT Inlet Port
- Installs Easily on all Backflow Preventers
- Discharge Port Accommodates 5/8" I.D. Hose
- Compact, Patented Design (US # 6,374,849)
- **Made in USA**

### APPROVALS

- IAMPO IGC 163-2001r1 (R2013)

### PERFORMANCE RATING

- Operating Pressures 20 - 175 psi
- Temperature Range 33°F - 180°F
- Nominal Start to Open Temperature 35 °F

### STANDARD MATERIALS LIST

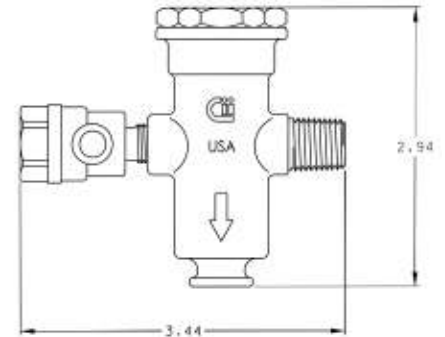
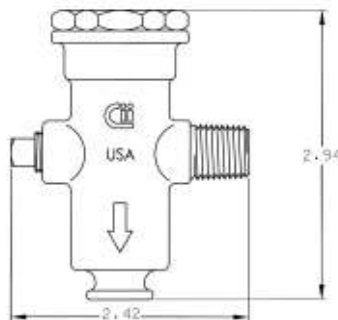
<b>BODY</b>	Bronze (C84400/LF C89836)
<b>CAP</b>	Brass
<b>SPRING GUIDE</b>	Brass
<b>SPRING</b>	Stainless Steel
<b>CAP O-RING</b>	Buna-N
<b>GUIDE O-RING</b>	Buna-N
<b>THERMAL ELEMENT</b>	Copper/Stainless Steel/EPDM

### WEIGHTS

MODEL NO.	NET WEIGHT (LB.)
40-000-FPV1	.70
40-000-FPV2	.77

### MODEL NUMBERS

MODEL NO.
40-000-FPV1
40-000-FPV2 - w/test cock
40LF-000-FPV1
40LF-000-FPV2F - w/SAE testcock



### PART NUMBER MATRIX

40 [X]	000	FPV X
		OPTIONS
40	- STANDARD	1 - W/1/8" NPT PLUG
40LF	- LEAD FREE	2 - W/1/8" MALE X 1/4" FEMALE TEST COCK
		2F - SAE TEST COCK
		R - REPAIR KIT* FOR FPV1 AND FPV2

\* Repair kit includes: Thermal element, spring, spring guide, two o-rings (all internal parts)

\*LEAD FREE: The wetted surfaces of this product shall contain no more than 0.25% lead by weighted average. Complies with Federal Public Law 111-380. ANSI 3rd party approved and listed.