

37-200 Series

Vacuum Relief Valve

LEAD FREE



| | |
|------------------|--|
| Job Name: | |
| Job Location: | |
| Engineer: | |
| Contractor: | |
| Tag: | |
| PO#: | |
| Rep.: | |
| Wholesale Dist.: | |

DESCRIPTION

Apollo Model VR Vacuum Relief Valves is designed to automatically vent a system should a vacuum occur. It prevents siphoning of water from the system and/or tank collapse.

FEATURES

- New Brass Poppet for Improved Strength
- Sizes 1/2" and 3/4"
- Suitable for LP Steam (15 psig max)
- Auto Vacuum Relief at Less than 1/2" Vacuum

PERFORMANCE RATING

- Maximum Pressure: 200 psig
- Maximum Temperature: 250°F

APPROVALS

- CSA 4.4/ANSI Z21.22 "Relief Valves for Hot Water Supply Systems"
- NSF/ANSI 372 Lead Free

OPTIONS

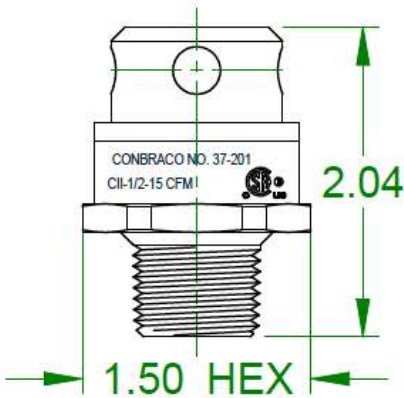
- Satin Brass Finish (-01)
- Rough Chrome Finish (-02)
- Heavy Spring (-B1)
- 1/2" Threaded Connection (37201)
- 3/4" Threaded Connection (37202)

STANDARD MATERIALS LIST

| | |
|--------------------|--|
| BONNET | ASTM B16 Brass DZR C27541 Brass (Lead Free) |
| NOZZLE | ASTM B16 Brass DZR C27541 Brass (Lead Free) |
| POPPET | ASTM B16 Brass DZR C27541 Brass (Lead Free) |
| SEAT WASHER | EPDM |
| SPRING | Stainless Steel |
| RETAINER | Glass Filled Noryl |

| SERIES NUMBER* | LEAD FREE SERIES NUMBER | SIZE (IN.) | VENTING CAPACITY @ 2" HG | WT./100 (LB.) |
|----------------|-------------------------|------------|--------------------------|---------------|
| 37-201-01 | 37LF-201-01 | 1/2 | 15 CFM | 30.4 |
| 37-202-01 | 37LF-202-02 | 3/4 | 16 CFM | 32.4 |

*Standard materials available until stock is depleted



*LEAD FREE: The wetted surfaces of this product shall contain no more than 0.25% lead by weighted average. Complies with Federal Public Law 111-380. ANSI 3rd party approved and listed.