

34C Series

Thermostatic High Capacity Mixing Valve



Job Name:	
Job Location:	
Engineer:	
Contractor:	
Tag:	
PO#:	
Rep:	
Wholesale Dist.:	

DESCRIPTION

The Apollo 34C Series Mixing Valves are ASSE 1017 approved thermostatic mixing valves designed for high capacity commercial and institutional "point of source" applications. Featuring ease of maintenance and "Best in Class" flow rates, they provide reliable temperature control for large hot water distribution and hydronic heating systems. Patent # US 6,328,219.

FEATURES

- Standard Mix Temp. Range (-01) & Optional Hydronic High Temp. (-H1)
- Sizes 3/4", 1", 1-1/4", 1-1/2", 2" FNPT
- Patented "Finger Grip" Pads for Easy Inline Shuttle Maintenance
- **Made in USA - ARRA compliant**

OPTIONS

- -01 (Standard Temp 90°F - 140°F)
- -H1 (Hydronic, High Temps/Non-ASSE 130°F - 180°F)

APPROVALS

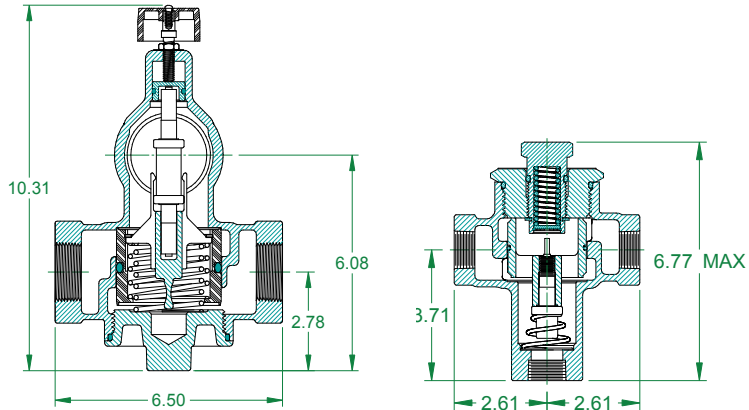
- ASSE 1017 - Temperature Actuated Mixing Valve for Hot Water Distribution Systems

STANDARD MATERIALS LIST

BODY	Bronze ASTM B584 C84400
THERMOSTAT	Copper / Wax Filled
SHUTTLE CARTRIDGE	Glass Filled Noryl
STEM	Brass ASTM B16 C36000
RETAINER	Brass ASTM B16 C36000
SPRING	Stainless Steel

DIMENSIONS

PART NUMBER	SIZE (IN.)
34C-104-01	3/4" FNPT
34C-105-01	1" FNPT
34C-106-01	1-1/4" FNPT
34C-107-01	1-1/2" FNPT
34C-108-01	2" FNPT



PERFORMANCE RATING

- Minimum Flow Rate: 1.0 GPM*
- Maximum Pressure: 150 psig
- Maximum Temperature: 200°F

*when the valve is installed at or near hot water source w/ recirculated tempered water with a continuously operating pump.

