

# 34A-H Series

Hydronic Master Mixing Valve



Job Name:	
Job Location:	
Engineer:	
Contractor:	
Tag:	
PO#:	
Rep:	
Wholesale Dist.:	

## DESCRIPTION

The Apollo 34A-H Series master mixing valves are designed for hydronic applications. They provide accurate temperature control in hot water heating distribution systems where the service temperatures are outside the scope of ASSE standards. Valves are available with multiple connection options to suit your application.

## FEATURES

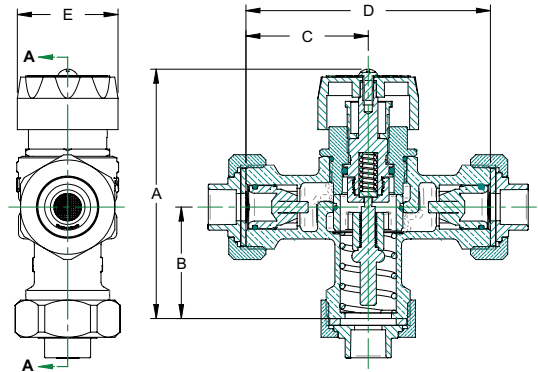
- Superior Thermostatic Element Technology for Optimal Performance, Reliability and Accuracy
- Dezincification Resistant Bronze Body
- Thermostat Over-Temperature Protection
- Integral Stainless Steel Inlet Strainers
- Fingertip Temperature Control
- Instantaneous Cold or Hot Water Supply Failure Shut-Off Protection
- Multiple Connection Options to Fit Your Specific Needs
- **Made in USA - ARRA Compliant**

## STANDARD MATERIALS LIST

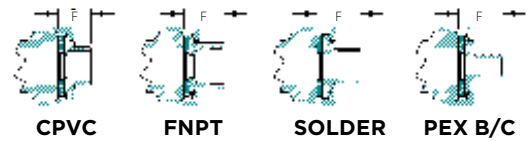
<b>BODY</b>	ASTM B584 Bronze
<b>SHUTTLE</b>	Noryl® Modified PPO
<b>SENSOR</b>	Copper/Wax filled
<b>O-RING</b>	Chloramine Resistant EPDM
<b>SPRING</b>	ASTM A313 Stainless Steel
<b>CAP</b>	ABS

## DIMENSIONS

PART NO.	CONNECTION	SIZE (IN.)	DIMENSIONS (IN.)					UNIT WT. (LB.)	
			A	B	C	D	E		F
34A213HT	Thread - FNPT	1/2	3.73	2.11	2.28	4.56	1.87	0.73	2.75
24A213HS	Solder		3.73	2.11	2.28	4.56	1.87	0.81	2.54
34A213HC	CPVC		3.73	2.11	2.28	4.56	1.87	0.58	2.39
24A213HX	PEX	3/4	3.73	2.11	2.28	4.56	1.87	0.93	2.54
34A214HT	Thread - FNPT		3.73	2.11	2.28	4.56	1.87	0.77	2.84
24A214HS	Solder		3.73	2.11	2.28	4.56	1.87	0.81	2.60
34A214HC	CPVC	1	3.73	2.11	2.28	4.56	1.87	0.80	2.42
24A214HX	PEX		3.73	2.11	2.28	4.56	1.87	0.83	2.60
34A215HT	Thread - FNPT		3.73	2.11	2.28	4.56	2.12	0.94	2.93
24A215HS	Solder	1	3.73	2.11	2.28	4.56	2.12	0.94	2.66
34A215HC	CPVC		3.73	2.11	2.28	4.56	2.12	1.09	2.45
24A215HX	PEX A		3.73	2.11	2.28	4.56	2.12	1.04	2.66



## TAILPIECES



## PERFORMANCE RATING

- Maximum Working Pressure: 150 psig (1034 kPa)
- Maximum Working Temperature: 210°F (99°C)
- Cold Water Inlet Temperature Range: 39°-80°F (4° - 27°C)
- Hot Water Inlet Temperature Range: 120° - 200°F (49° - 82°C)
- Minimum Flow Rate: 1/2 gpm (1.9 lpm)
- Mixed Water Temperature Range: 130° - 180°F (54° - 82°C)
- Mixed Water Temperature Tolerance: ±5°F (1.7°C)
- Cv Rating: 3.9

