



Job Name:	
Job Location:	
Engineer:	
Contractor:	
Tag:	
PO#:	
Rep:	
Wholesale Dist.:	

DESCRIPTION

The Apollo 34-200 Series Thermostatic Mixing Valve provides non-ASSE extension of water heater capacity and hot water temperature control in hydronic heating systems. Available in low or high temperature options for floor or baseboard applications.

FEATURES

- Standard Temperature Range (120°F-180°F)
- Low Temperature Range (85°F-120°F) - L1 Option
- Fingertip Temperature Control
- Replaceable thermal element
- Solder connections are standard
- **Made in USA - ARRA compliant**

OPTIONS

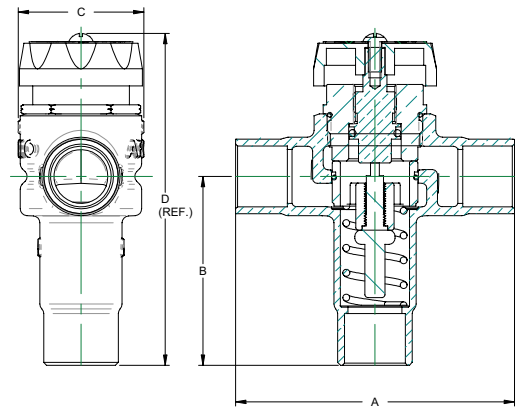
- -01 (Standard Temp 120°F - 180°F)
- -L1 (Low Temp 85° - 120°F)

STANDARD MATERIALS LIST

BODY	ASTM B584 Bronze
SHUTTLE	Scale Resistant Noryl® Polymer
SENSOR	Copper / Wax filled
O-RING	Chloramine Resistant EPDM
SPRING	ASTM A313 Stainless Steel
CAP	ABS Polymer

DIMENSIONS

PART NUMBER		CONNECTION	SIZE (IN.)	DIMENSIONS (IN.)		WEIGHT (LB.)
LOW TEMP (85° - 120°F)	HIGH TEMP (120° - 180°F)			HEIGHT	WIDTH	
34203L1	3420301	Solder	1/2	4.45	3.75	1.4
34204L1	3420401	Solder	3/4	4.47	4.00	1.46



PERFORMANCE RATING

- Maximum Supply Pressure: 150 psi (1034 kpa)
- Minimum Inlet/Outlet Temperature Differential: 15°F
- Hot Inlet Temperature Range: 120°F - 210°F (49°C - 99°C)
- Cold inlet temperature Range: 39°F - 80°F (4°C - 27°C)
- Outlet Temperature Control: 80°F - 120°F (27°C - 49°C)
- Outlet Temperature Control (Hydronic): 120°F - 180°F
- Low Temperature (L1) Mix Range: 85°F - 120°F (30°C - 49°C)
- High Temperature (01) Mix Range: 120°F - 180°F (49°C - 82°C)
- Mixed Water Temperature Tolerance: +/- 7°F (1.7°C)

