



Job Name:	
Job Location:	
Engineer:	
Contractor:	
Tag:	
PO#:	
Rep:	
Wholesale Dist.:	

DESCRIPTION

The Apollo® 20 series bronze water gauges are for use on all types of liquid level verification. Gauge sets are available in many variations including heavy body patterns for higher service ratings and aluminum or plastic composite handles. Sight glass is available in any length up to 72 inches. Standard set includes top and bottom valves, glass and rods.

FEATURES

- Coated Steel Guard Rods included.
- 1/4" Drain Valve Standard
- Sizes 3/8", 1/2", 3/4" (20-2/300 only)
- Canadian Registration OF6616.5C
- Meets ASME Design requirements
- **Made in USA**

PERFORMANCE RATING

- 20-100: 125 psig @ 350°F, 300 psig @ 100°F
- 20-200: 200 psig @ 400°F, 400 psig @ 100°F
- 20-300: 200 psig @ 400°F, 400 psig @ 100°F
(Subject to the limitation of the gauge glass)

STANDARD MATERIALS LIST

BODY	ASTM B584 C84400 Bronze
	ASTM B584 C89836 (20-100 LF only)
	ASTM B16 Brass (20-300 only)
DRAIN BODY	ASTM B16 Brass
STEM	ASTM B16 Brass
GLAND NUT	ASTM B16 Brass
PACKING NUT	ASTM B16 Brass
STEM PACKING	TFE w/Hypalon
GLASS PACKING	EPDM
RODS	Steel
	CDA C27451 (20-100 LF only)

PART NUMBERS

PIPE SIZE (IN.)	GLASS O.D. & LENGTH	WHEEL	STANDARD GAUGE PART NUMBER	TOP ONLY	BOTTOM ONLY	STANDARD GAUGE LESS GLASS & ROD	SPECIAL GAUGES WITH NON STANDARD LENGTHS**
STANDARD MATERIALS							
3/8"	5/8" x 10"	Aluminum	20-101-00	20-101-01	20-101-02	20-101-03	20-101-10
3/8"	5/8" x 10"	Composite	20-102-00	20-102-01	20-102-02	20-102-03	20-102-10
1/2"	5/8" x 12"	Aluminum	20-104-00	20-104-01	20-104-02	20-104-03	20-104-10
1/2"	5/8" x 12"	Composite	20-105-00	20-105-01	20-105-02	20-105-03	20-105-10
1/2"	5/8" x 12"	Aluminum	20-150-00*	20-150-01*	20-150-02*	20-150-03*	20-150-10*
1/2"	5/8" x 12"	Composite	20-151-00*	20-151-01*	20-151-02*	20-151-03*	20-151-10*
LEAD FREE							
1/2"	5/8" x 12"	Aluminum	20LF-104-00	20LF-104-01	20LF-104-02	20LF-104-03	20LF-104-10
1/2"	5/8" x 12"	Composite	20LF-105-00	20LF-105-01	20LF-105-02	20LF-105-03	20LF-105-10

*Automatic Ball Valves

**Contact Customer Support for Details

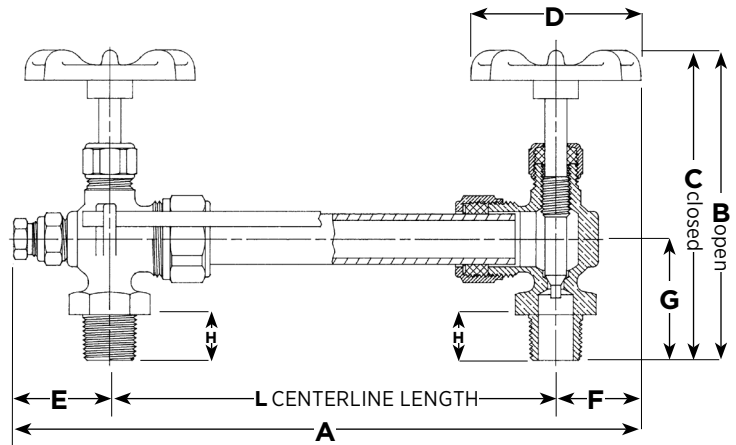
*LEAD FREE: The wetted surfaces of this product shall contain no more than 0.25% lead by weighted average. Complies with Federal Public Law 111-380. ANSI 3rd party approved and listed.

DIMENSIONS

- A - Overall length is found by adding this to dimension "L"
- B - Valve open total depth
- C - Valve closed total depth
- D - Handle diameter
- E - Maximum extension below lower arm centerline
- F - Maximum extension above upper arm centerline
- G - End of arm NPT to centerline of glass
- H - End of arm NPT to hex shoulder
- L - Centerline Length

Glass Length is "L" minus GL code

Rod Length is glass length plus RL code



VALVE	PIPE SIZE	A	B	C	D	E	F	G	H	DEFAULT L	DEFAULT GLASS LENGTH	GL CODE	RL CODE
20-101	3/8	2.3	4.1	3.8	2.1	1.25	1.07	1.50	0.56	11.25	10	1.25	2
20-102	3/8	2.3	4.3	4.1	2.0	1.25	1.00	1.50	0.56	11.25	10	1.25	2
20-104	1/2	2.3	4.2	3.9	2.1	1.25	1.07	1.63	0.69	13.25	12	1.25	2
20LF-104	1/2	2.3	4.2	3.9	2.1	1.25	1.07	1.63	0.69	13.25	12	1.25	2
20-105	1/2	2.3	4.4	4.2	2.0	1.25	1.00	1.63	0.69	13.25	12	1.25	2
20LF-105	1/2	2.3	4.4	4.2	2.0	1.25	1.00	1.63	0.69	13.25	12	1.25	2
20-150*	1/2	2.3	4.2	3.9	2.1	1.25	1.07	1.63	0.69	13.25	12	1.25	2
20-151*	1/2	2.3	4.4	4.2	2.0	1.25	1.00	1.63	0.69	13.25	12	1.25	2
20-201	3/8	2.4	4.4	4.2	2.1	1.38	1.07	1.69	0.56	11.25	10	1.25	2
20-202	3/8	2.4	4.4	4.1	2.0	1.38	1.00	1.69	0.56	11.25	10	1.25	2
20-204	1/2	2.4	4.6	4.3	2.1	1.38	1.07	1.81	0.69	13.25	12	1.25	2
20-205	1/2	2.4	4.5	4.3	2.0	1.38	1.00	1.81	0.69	13.25	12	1.25	2
20-207	3/4	2.4	4.9	4.6	2.1	1.38	1.07	2.05	0.75	17.50	16	1.50	2.25
20-208	3/4	2.4	5.1	4.8	2.0	1.38	1.00	2.05	0.75	17.5	16	1.50	2.25
20-250	1/2	2.4	4.6	4.3	2.1	1.38	1.07	1.81	0.69	13.25	12	1.25	2
20-251*	1/2	2.4	4.5	4.3	2.0	1.38	1.00	1.81	0.69	13.25	12	1.25	2
20-253*	3/4	2.4	4.9	4.6	2.1	1.38	1.07	2.05	0.75	17.50	16	1.50	2.25
20-254*	3/4	2.4	5.1	4.8	2.0	1.38	1.00	2.05	0.75	17.50	16	1.50	2.25
20-304	1/2	2.3	5.3	5.1	2.1	1.25	1.07	2.20	0.69	14	12	2.00	1.25
20-305	1/2	2.3	5.5	5.3	2.0	1.25	1.00	2.20	0.69	14	12	2.00	1.25
20-307	3/4	2.3	5.0	5.4	2.1	1.25	1.07	2.06	0.69	18	16	2.00	1.25
20-308	3/4	2.3	5.4	5.0	2.0	1.25	1.00	2.06	0.69	18	16	2.00	1.25
20-350*	1/2	2.3	5.3	5.1	2.1	1.25	1.07	2.20	0.69	14	12	2.00	1.25
20-351*	1/2	2.3	5.5	5.3	2.0	1.25	1.00	2.20	0.69	14	12	2.00	1.25
20-353*	3/4	2.3	5.0	5.4	2.1	1.25	1.07	2.06	0.69	18	16	2.00	1.25
20-354*	3/4	2.3	5.4	5.0	2.0	1.25	1.00	2.06	0.69	18	16	2.00	1.25